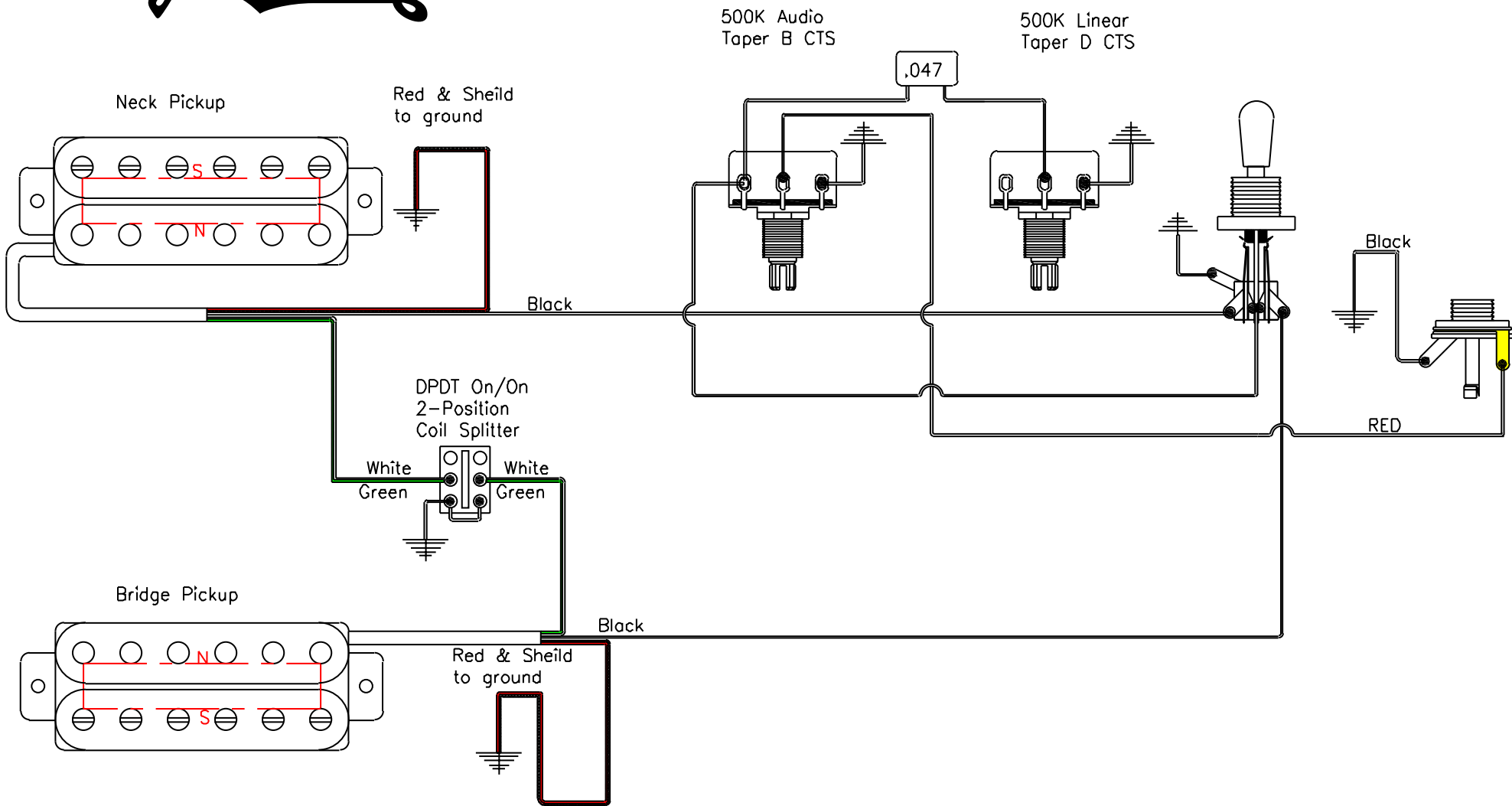
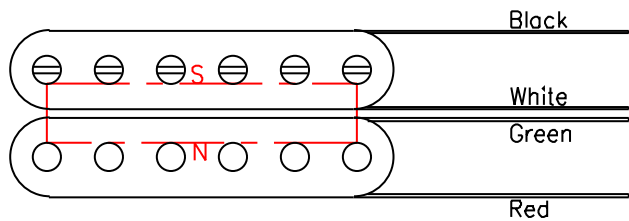


Hagstrom

Ultra Swede



Pickup: Custom-62



NOTE: Wire color codes may change without notice

Model: Ultra Swede
Make: Hagstrom
Note: This wiring grounds both pickups either volume control
March 08,2005
Drawing: David Lee